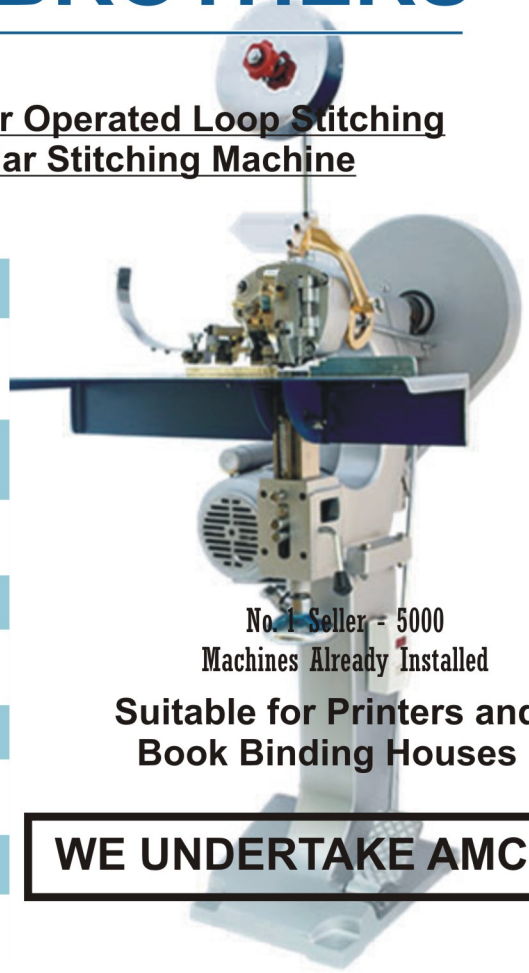


Sadana BROTHERS

3/4" Vickers Model Power Operated Loop Stitching Machine cum Regular Stitching Machine

Technical Specifications

Stitching Thickness	0.1mm to 3/4"
Suitability	Centre, Side & Loop Stitching
Min. Number of Pages	2 Nos
Max. Thickness	3/4"
Stitch Speed	110 Stitches/minute
Motor	½ H.P. Single Phase
Wire	20SWG to 26 SWG
Net Weight	150 kgs
Gross Weight	250 kgs
Machine Size	L 50"W 28" H 54"



No. 1 Seller - 5000
Machines Already Installed

**Suitable for Printers and
Book Binding Houses**

WE UNDERTAKE AMC

**EXISTING REGULAR WIRE STITCHING MACHINE CAN BE
CONVERTED TO LOOP STITCHING WITH CHANGE OF DIES**

PRODUCT QUALITY ■ CUSTOMER SERVICE ■ CUSTOMER SATISFACTION

Pioneers in Wire Stitching Machine, Loop Stitching machine, 32 mm Heavy Duty Power Operated Wire Stitching Machine & Other Book Binding Machines Suitable to Offset Printers & Book Binders

Sadana BROTHERS

SPARE PARTS MANUAL of

3/4" VICKERS MODEL POWER OPERATED WIRE STITCHING MACHINE

Image 1

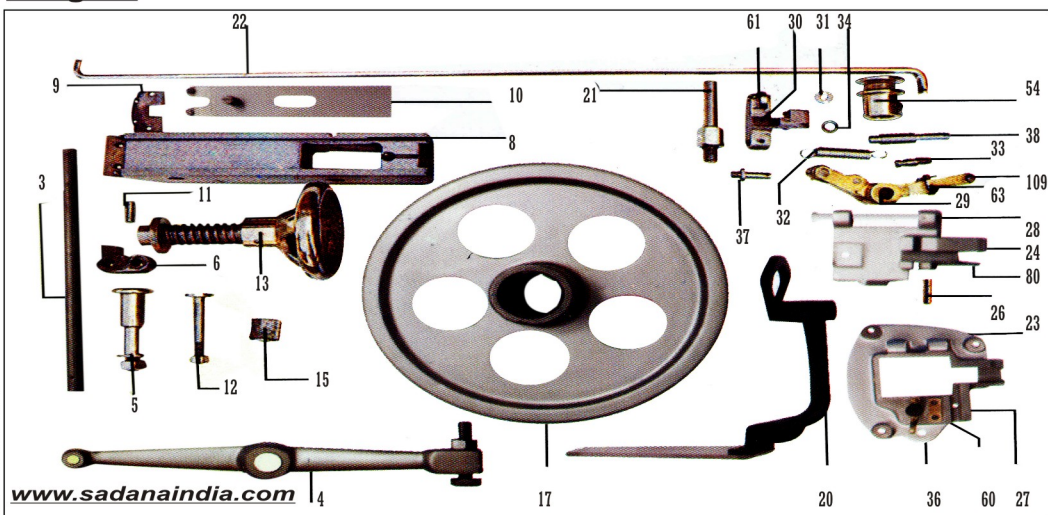


Image	Part No.	Spare Part Description	Image	Part No.	Spare Part Description
-	SB 1	Machine Body	1	SB 13	Wheel & Bolt for Anvil Bar
4	SB 2	Diagram 2	1	SB 15	Roller for Bolt of Anvil Bar
1	SB 3	Connecting link	1	SB 17	Pulley Diameter 12"
1	SB 4	Clincher lever	1	SB 18	Table Plate
1	SB 5	Axis Pin Clincher Lever	1	SB 20	Safety Guard (Brass) with Glass
1	SB 6	Bell Crank	1	SB 21	Bolt for Safety Guard
3	SB 7	Axis Pin Connecting Link & Clincher Lever	1	SB 22	Treadle Rod
1	SB 8	Anvil Bar (Pillar)	1	SB 23	Cover Plate
1	SB 9	Front Plate Clincher	1	SB 24	Door Plate
1	SB 10	Clincher Ram	3, 4	SB 25	Fix Pin in Feeder Block
1	SB 11	Axis Pin Bell Crank	1	SB 26	Pin For Loop Bar
1	SB 12	Clamp Bolt for Table	1	SB 27	Feed Scale

PRODUCT QUALITY ■ CUSTOMER SERVICE ■ CUSTOMER SATISFACTION

Pioneers in Wire Stitching Machine, Loop Stitching machine, 32 mm Heavy Duty Power Operated Wire Stitching Machine & Other Book Binding Machines Suitable to Offset Printers & Book Binders

Image 2

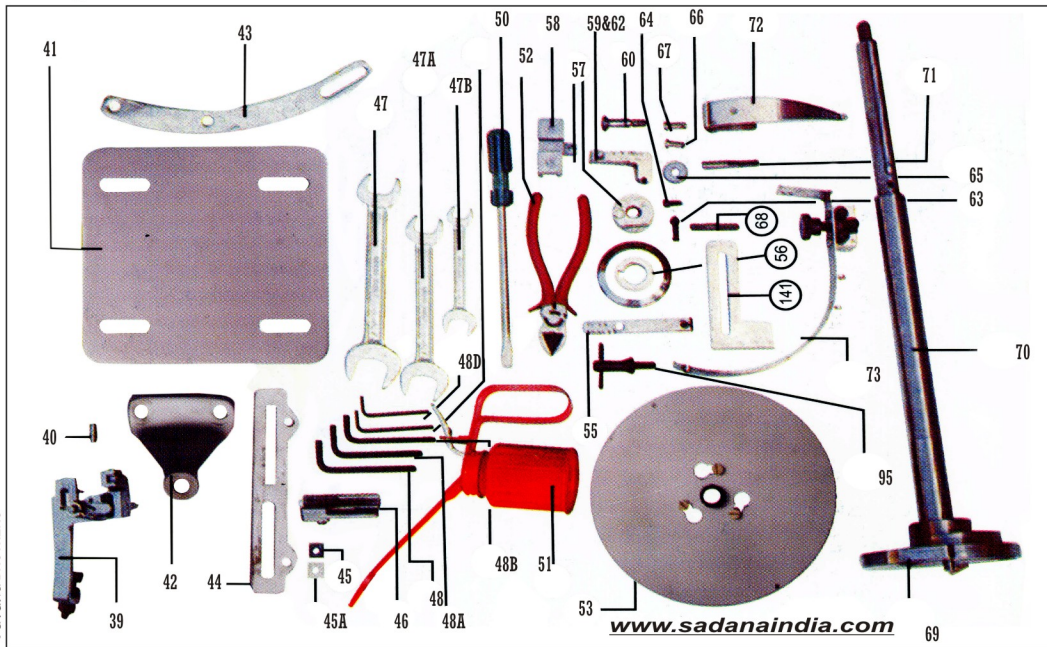


Image	Part No.	Spare Part Description	Image	Part No.	Spare Part Description
1	SB 28	Hinge Pin	2	SB 45A	Stirrups for Driver (22,24 S.W.G)
1,4	SB 30	Cut Off Link	2	SB 46	Former (20 SWG, 22x24 SWG)
1,4	SB 31	Cut Off Knife	2	SB 47	Spanner Set 1/2" x 5/18"
1	SB 32	Feed Return Spring	2	SB 47A	Spanner 3/8" x 1/2"
1	SB 33	Lower Spring Pin For Feed Lever	2	SB 47B	Spanner 1/4" x 5/16"
1	SB 34	Roller for Driver Head	2	SB 48	Allen Key 7/132"
3	SB 35	Spring Wire Holder	2	SB 48A	Allen Key 3/16"
1	SB 36	Catch for Door	2	SB 48B	Allen Key 4 mm
1	SB 37	Axis Pin for Cut off Link	2	SB 48C	Allen Key 3 mm
1	SB 38	Axis Pin for Feed Lever	2	SB 48D	Allen Key 2 mm
2,4	SB 39	Sliding Feed Plate	2	SB 49	Former 22 x 24 SWG
2	SB 40	Cutting Tube (All Wires)	2	SB 50	Screw Driver
2	SB 41	Motor Plate	2	SB 51	Oil Can
2	SB 42	Motor Bracket	2	SB 52	Wire Cutting Cutter
2	SB 43	Support for Motor Plate	2	SB 53	Wire Spool
2	SB 44	Rail for Motor Adjustment	1	SB 54	Motor Pulley
2	SB 45	Stirrups for Driver (20 S.W.G)	2	SB 55	Driver (20, 22x24 SWG)
			2	SB 56	Washer for Main Shaft

PRODUCT QUALITY ■ CUSTOMER SERVICE ■ CUSTOMER SATISFACTION

Pioneers in Wire Stitching Machine, Loop Stitching machine, 32 mm Heavy Duty Power Operated Wire Stitching Machine & Other Book Binding Machines Suitable to Offset Printers & Book Binders

Image 3

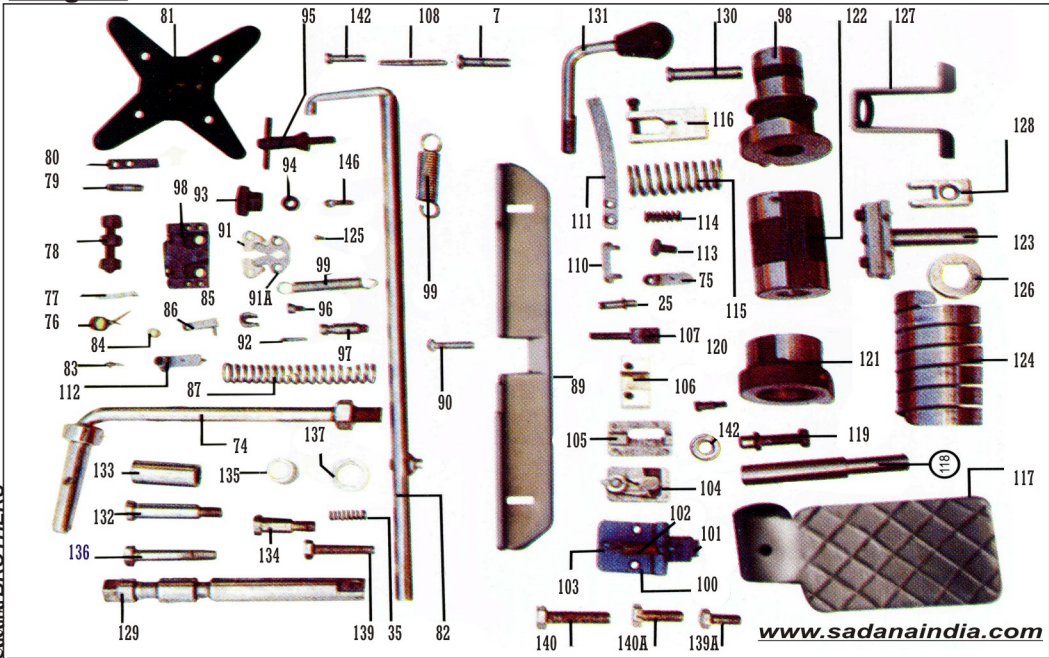
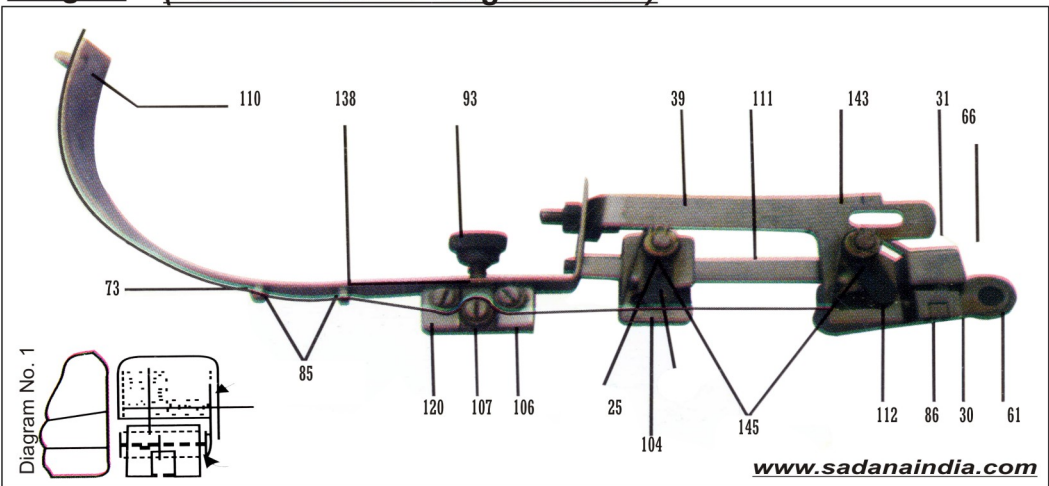


Image	Part No.	Spare Part Description	Image	Part No.	Spare Part Description
2	SB 57	Nut off Main Shaft	3	SB 75	Lever Feed Roller Link
2	SB 58	Driver Head Cam	3	SB 76	Spring for Feed Roller Link
2	SB 59	Loop Bar(20 Swg)	3	SB 77	Wire Holder
2,1	SB 60	Bolt for Catch off Door	3	SB 78	Stop for Feed Lever With 2 Nuts
1,4	SB 61	Roller (Cut-off-Link)	3	SB 79	Stud for Clincher Ram
2	SB 62	Loop Bar (22 x 24 Swg)	1,3	SB 80	Wire Guide
2,1	SB 63	Chisel Point of Feed Lever	3	SB 81	Clamp for Holding Wire Spool
2	SB 64	Bolt for Loop Bar Spring	3	SB 82	Stop Safety Guard
2	SB 65	Roller Top Of Feed Lever	3	SB 83	Pag Lever Feed Roller
2,4	SB 66	Pin Cut-off-Link Roller	3	SB 84	Feeder Roller
2	SB 67	Pin for Feed Lever Roller	3,4	SB 85	Lower Stirrup of Wire Guide
2	SB 68	Stud For Cover Plate	3,4	SB 86	Clamp Plate for Cutting Tube
2	SB 69	Cam	3	SB 87	Spring for Stop Safety Guard
2	SB 70	Main Shaft	3	SB 88	Back Plate Clincher Box
2	SB 71	Pin in Main Cam (SB 69)	3	SB 89	Table Back Gauge
2	SB 72	Loop Bar Spring	3	SB 90	Screw for Table Back Gauge
2,4	SB 73	Wire Guide Spring	3	SB 91	Clincher
3	SB 74	Spool Support			

PRODUCT QUALITY ■ CUSTOMER SERVICE ■ CUSTOMER SATISFACTION

Pioneers in Wire Stitching Machine, Loop Stitching machine, 32 mm Heavy Duty Power Operated Wire Stitching Machine & Other Book Binding Machines Suitable to Offset Printers & Book Binders

Image 4 (Part No. - SB 02 Diagram No. 2)



www.sadanaindia.com

SADANA BROTHERS

Image	Part No.	Spare Part Description	Image	Part No.	Spare Part Description
3	SB 91A	Clincher Lifter	3	SB 113	Screw of Driver Head
3	SB 92	Clincher Pin	3	SB 114	Spring for Cut-off-Link
3,4	SB 93	Nurring for Wire Straighter	3	SB 115	Peddle Return Spring
3	SB 94	Roller for Wire Guide Spring	3	SB 116	Plate Treadle Return Spring
3,2	SB 95	Locking Bolt, Sliding Feed Plate	3	SB 117	Peddle
3	SB 96	Pin in Back Plate(SB 88)	3	SB 118	Axis Pin of Peddle
3	SB 97	Bolt for Spring of Clincher Ram	3	SB 119	Pin Upper Roller of Clincher Lever
3	SB 98	Clincher Cam	4	SB 120	Screw for Wire Guide Spring, Roller
3	SB 99	Spring for Clincher Ram	3	SB 121	Clutch Pawl
3	SB 100	Hinge Plate Staple Support	3	SB 122	Sleeve Clutch Spring
3	SB 101	Staple Pupport	3	SB 123	Rebound Pawl
3	SB 102	Spring Staple Support	3	SB 124	Clutch Spring
3	SB 103	Eyelet for Spring of Staple Support	3	SB 125	Pin in Clincher Ram for Clincher Lifter
3,4	SB 104	Feeder Block	3	SB 126	Washer for Spring of Connecting Link
3	SB 105	Back Plate Feeder Block	3	SB 127	Plate for Spring of Connecting Link
3,4	SB 106	Rectangular Block of Wire Guide	3	SB 128	Lower Plate of Clutch Bolt
3,4	SB 107	Flat Piece with Thread for Wire Guide	3	SB 129	Clutch Bolt
3	SB 108	Tapper Pin 1/4"	3	SB 130	Pin for Bell Crank in Anvil Bar
1	SB 109	Pin Actuating Feeder Block	3	SB 131	Lock Handle for Anvil Bar
3,4	SB 110	Stirrup Wire Guide Spring, Upper	3	SB 132	Upper Pin for Adjustment of Book
3,4	SB 111	Guide Bar for Feeder			
3,4	SB 112	Lever Roller for Sliding Feed Plate			

PRODUCT QUALITY ■ CUSTOMER SERVICE ■ CUSTOMER SATISFACTION

Pioneers in Wire Stitching Machine, Loop Stitching machine, 32 mm Heavy Duty Power Operated Wire Stitching Machine & Other Book Binding Machines Suitable to Offset Printers & Book Binders

Image Part No. Spare Part Description

3	SB	133	Upper Roller for Adjustment of Book
3	SB	134	Lower Pin for Adjustment of Book
3	SB	135	Lower Roller for Adjustment of Book
3	SB	136	3/8" x 2"Bolt for Body+Bed
3	SB	137	Washer for Peddle
3,4	SB	138	Spring For Wire Guide Spring (SB 73)
3	SB	139	Bolt 5/16" x 1 1/2"
3	SB	139A	Bolt 5/16" x 1
3	SB	140	Bolt 3/8" x 1 1/2"
3	SB	140A	Bolt 3/8" x 1"
2	SB	141	Side Gauge on Table
3	SB	142	Upper Roller for Clincher Lever
4	SB	143	Fix Pin in Sliding Feed Plate
4	SB	145	Feed Roller
3	SB	146	Screw in Cover Plate Anvil Bar

Terms

- Parts once ordered will not be replaced or exchanged
- Parts cannot be clubbed with AMC. The order will as per order terms agreed at the time of placement of order & cannot be clubbed with AMC
- Parts will be delivered on Doorstep in Mumbai.
- For orders out of Mumbai, parts will be sent by courier (charges as applicable)

To Order spare parts/Machinery/Stitching Wire/Cutting Blades

- **Call us on 9833450621**
- **WhatsApp** Spare Parts Requirements/ Any other Requirement **on 9833450621** along with your complete contact details
- **Mail us** on sadanabrothers5@gmail.com with complete Spare parts requirement or any other requirement with your contact details.
- You can also visit our **website www.sadanaindia.net**

PRODUCT QUALITY ■ CUSTOMER SERVICE ■ CUSTOMER SATISFACTION

Pioneers in Wire Stitching Machine, Loop Stitching machine, 32 mm Heavy Duty Power Operated Wire Stitching Machine & Other Book Binding Machines Suitable to Offset Printers & Book Binders